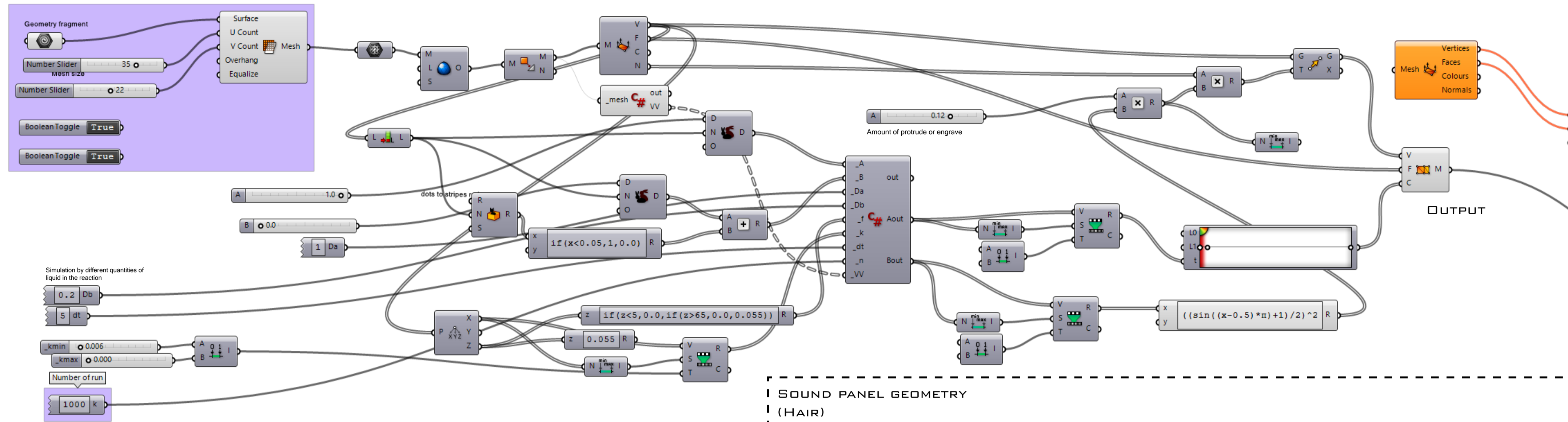
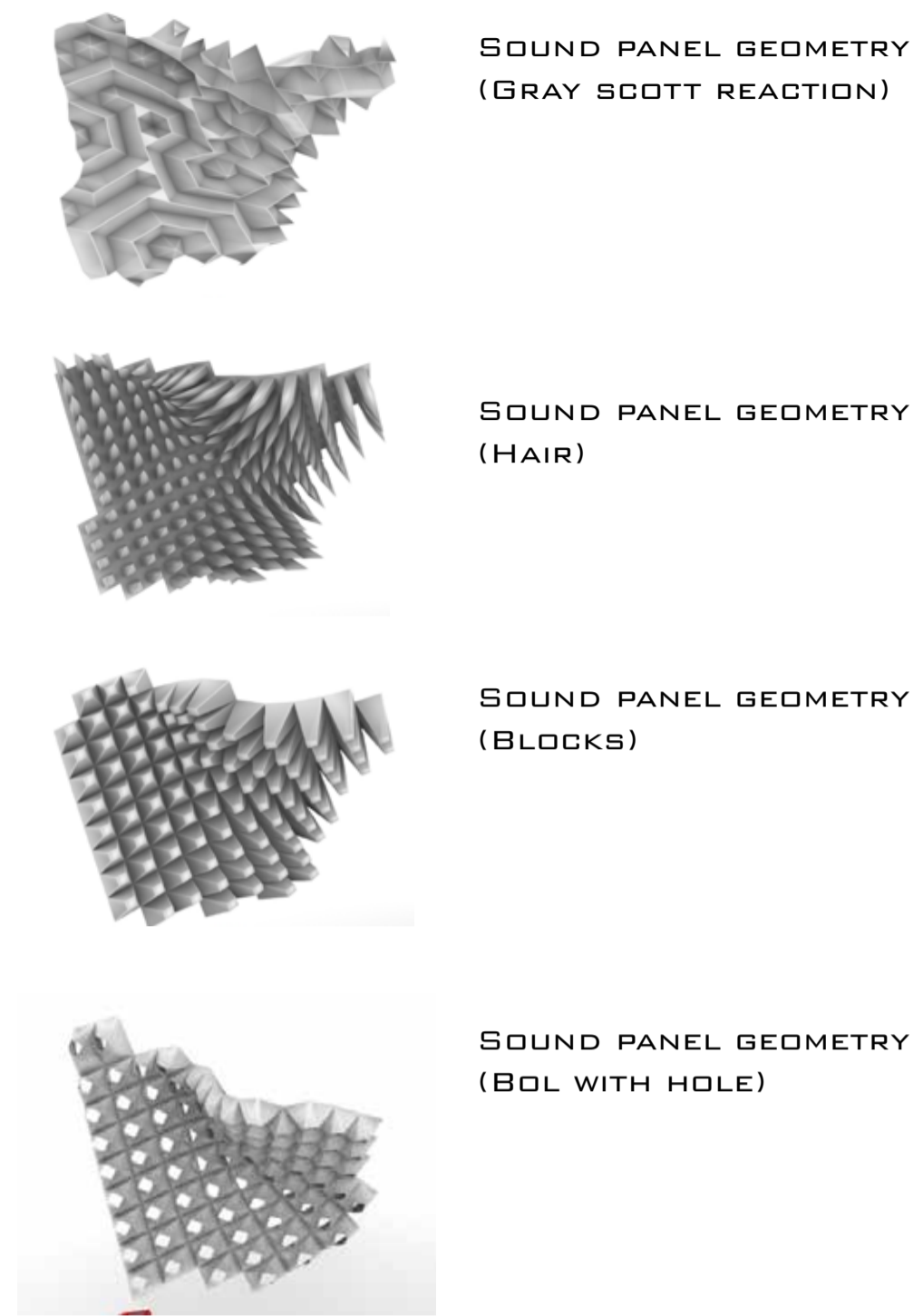


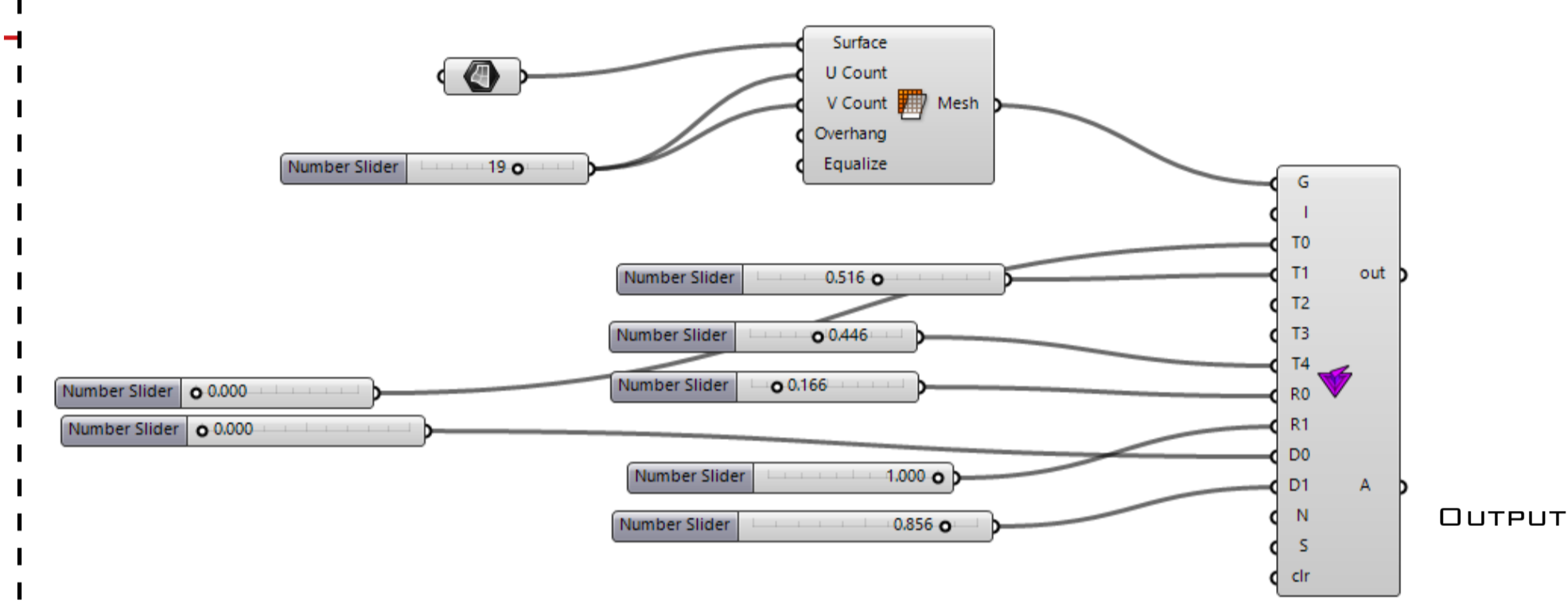
SOUND PANEL GEOMETRY (GRAY SCOTT REACTION)



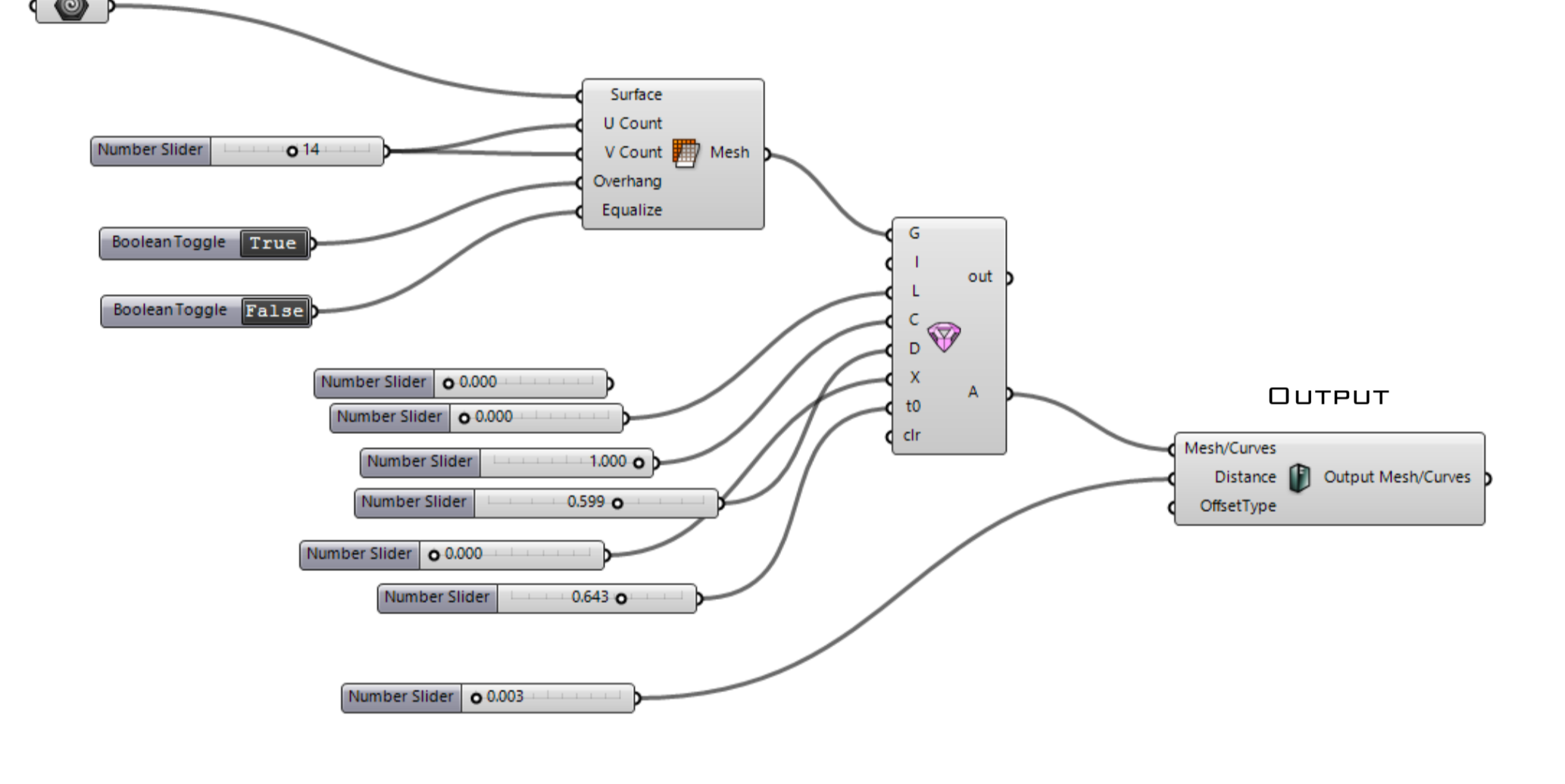
BAKED RHINO SIMULATIONS



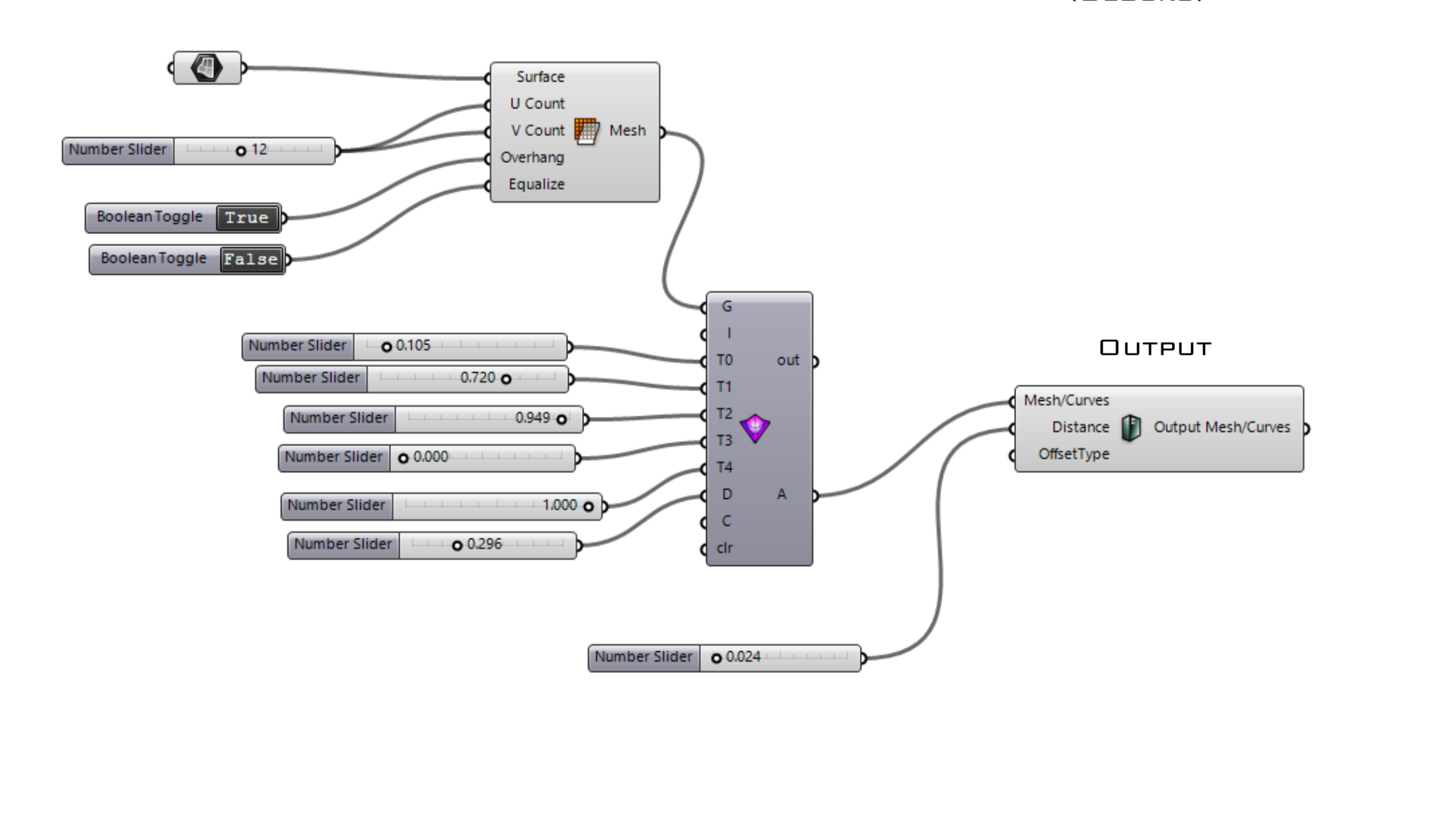
SOUND PANEL GEOMETRY (HAIR)



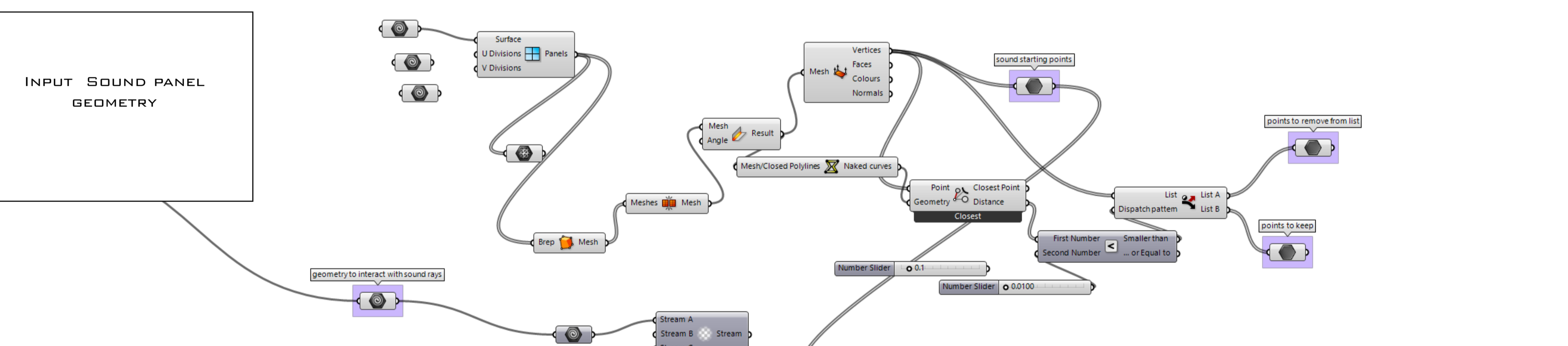
SOUND PANEL GEOMETRY (BOL WITH HOLE)



SOUND PANEL GEOMETRY (BLOCKS)



INPUT SOUND PANEL GEOMETRY



SOUND DIFFUSION ANALYSIS (ARWIN HIDDING)

