



Vietnamese-German University



Hochschule Anhalt

Anhalt University of Applied Sciences

ARCHITECTURE 2019

ACADEMIC YEAR

ARCHITECTURAL DESIGN I REPORT

(Progress period: 30.11.2020-25.12.2020)

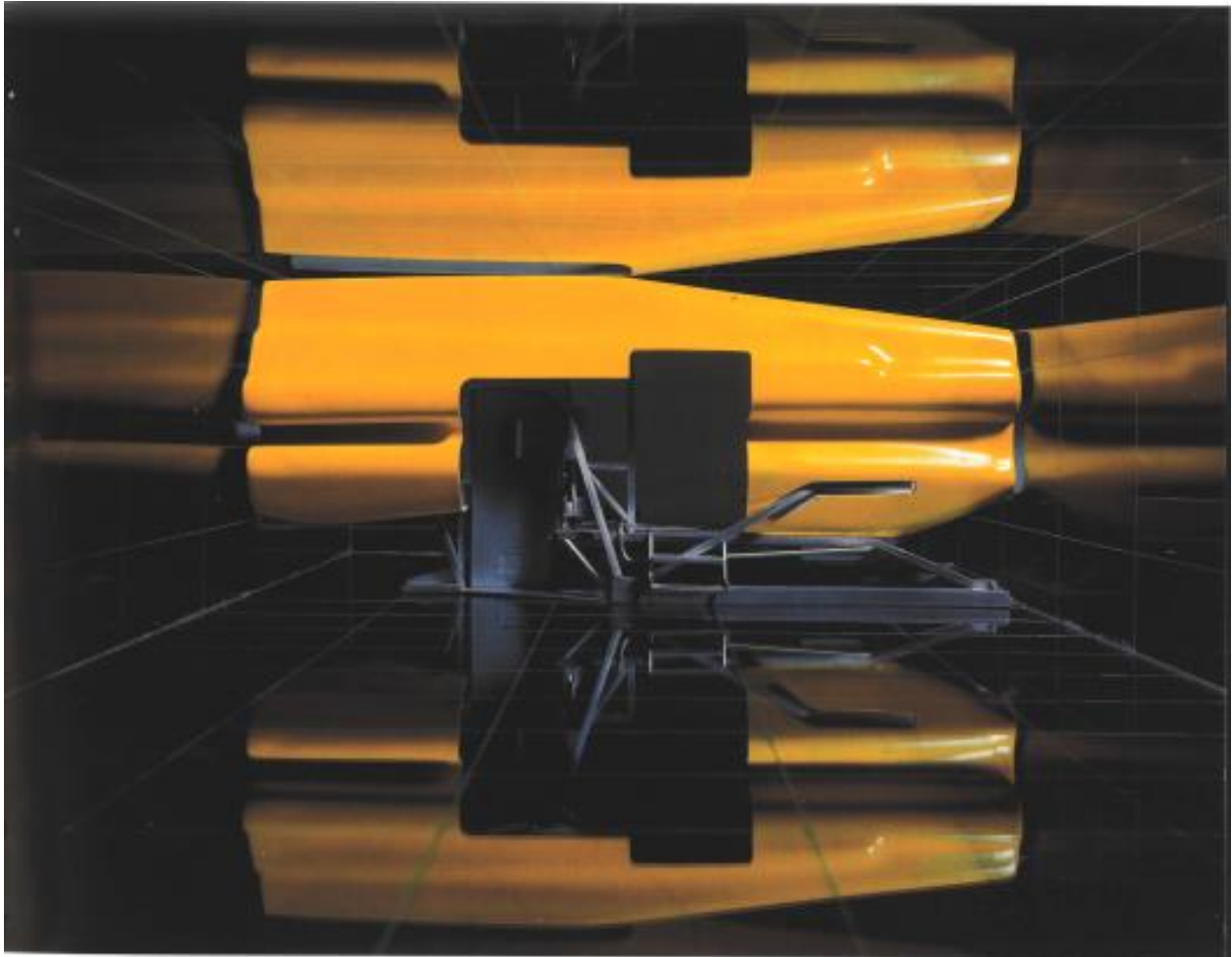
Author name: Đặng Nguyễn Khánh Đoàn – 15694

Tutor name: Henriette Bier and Max Latour

INTRODUCTION TO AD I

Project's name: Denari Project

Project's purpose: To get used to the Rhino software and understand the functions of it as a separator.



WORK PROGRESS REPORT

Đặng	Nguyễn Khánh	Đoan	04.12.2001	15694
Last name	Middle name	First name	Date of birth	Student ID

Progress place:

Vietnamese-German University

Lê Lai, Định Hoà, Thủ Dầu Một,

Bình Dương

Progress period:

30.11.2020-25.12.2020

Progress overview:

Department/Workshop or type of activity	From	Till	Week	No.of work report
Follow instructions and practice with Denari Project	30.11.2020	11.12.2020	1,2	01

Weekly report - Week 1

Content Progress: Layout and Basics, Import Images, Structure, Envelope, Envelope Edit.

Đặng	Nguyễn Khánh	Đoan	04.12.2001	15694
Last name	Middle name	First name	Date of birth	Student ID

For the week from 30.11.2020 till 04.12.2020

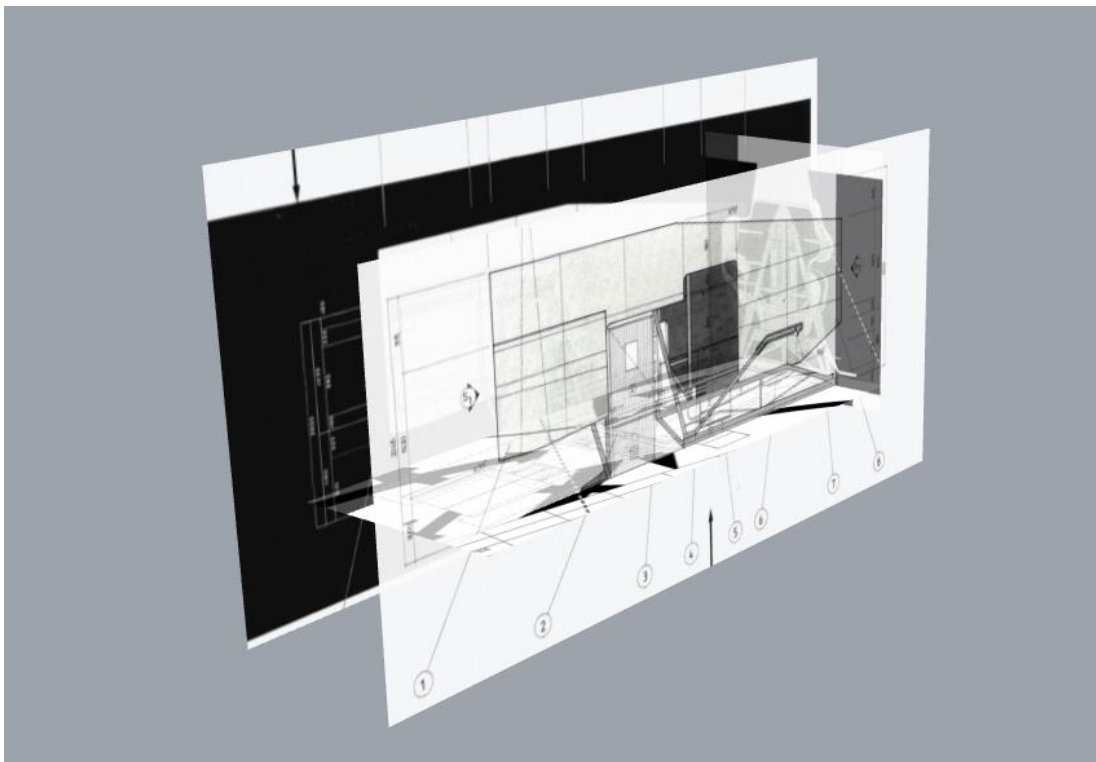
	Short description of executed activities	Single hours	Daily hours	
				Hours of absence
Monday	- Layout and Basics	1	3	0
Tuesday	- Import Images	3	4	0
Wednesday	- Import Images (continue) - Structure	1	7	
		4	0	
Thursday	- Structure (continue)	3	5	0
Friday	- Envelope	1	2	0
	Total	13	21	

Report on executed work in the week from 30.11.2020 till 04.12.2020

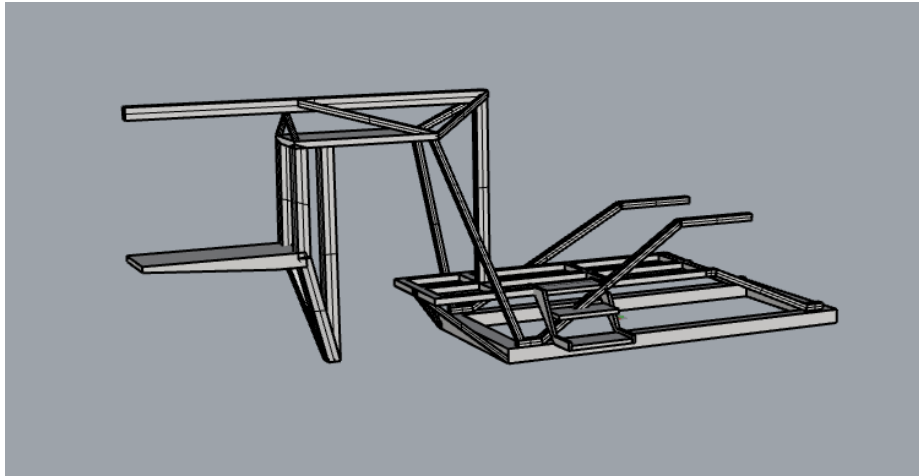
No. of work report: 01.

Following the instruction and practice:

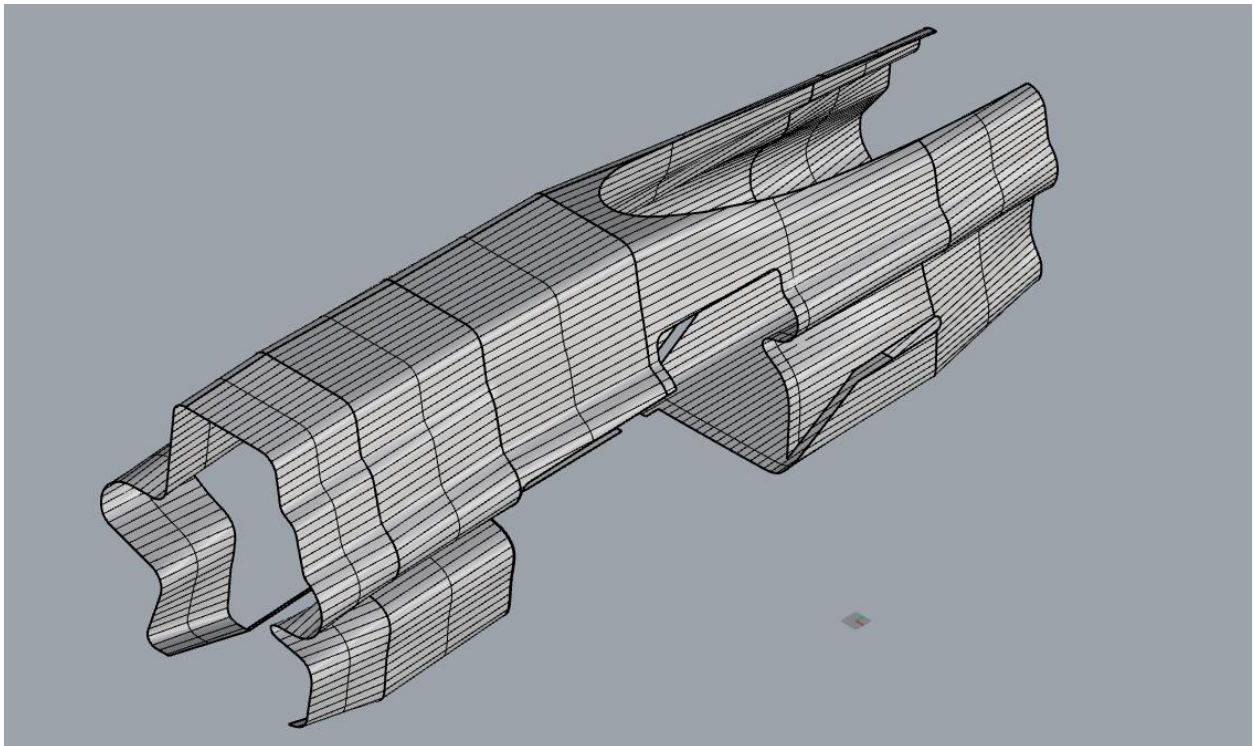
- First, in general, because of the first time using 3D software, I had got some troubles in using it, wasted hours and follow the instruction several times to get used to that, but with 4-week-practice, I have used it effectively, however, my level of skill is still amateur.
- Second, in specific parts:
 - + Layout and Basics: This is an easy part, but the tools are new to me, so it takes me an hour to finish.
 - + Import Images: I had import images which is not as clear as the one in the tutorial videos, so my design may have some mistakes due to this problem. This part took me so long because I have difficulty in scaling the object.



+ Structure: This part is easy to do, just do step by step, this part had made me realized how important is the object snap.



+ Envelope: first, due to not understanding how the fillet works, I draw the curved several times.



Weekly report - Week 2

For the week from 07.12.2020 till 11.12.2020

Content Progress:

Đặng	Nguyễn Khánh	Đoan	04.12.2001	15694
Last name	Middle name	First name	Date of birth	Student ID

	Short description of executed activities	Single hours	Daily hours
			Hours of absence
Monday	- Envelope (continue)	2	7
			0
Tuesday		0	5
			0
Wednesday	- Envelope (continue)	2	5
			0
Thursday		0	5
			0
Friday	- Envelope (continue) - Envelope Edit	1 1	6
			0
	Total	6	28

Report on executed work in the week from 07.12.2020 till 11.12.2020

No. of work report: 01.

Following the instruction and practice:

- In general, in this week, I focus on researching so that I spend more less time on doing design.
- In specific: in both videos are simple and clear enough for me following.

